

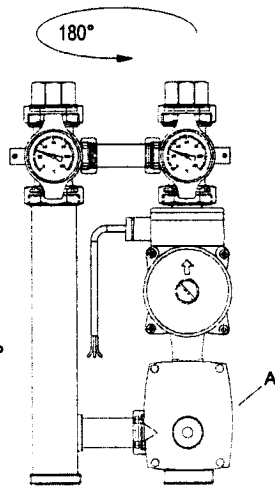
# Instructions – FlowBox heating

N.B.: If changes are made to works-mounted assemblies and components, all warranty and guarantee entitlements will become null and void.

## FlowBox heating / Changing the flow and return lines

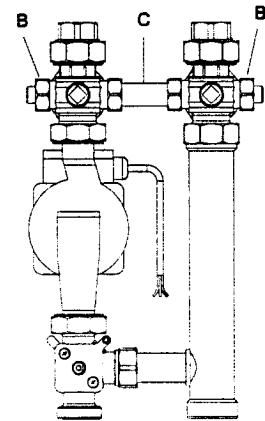
### 1st step

Remove servomotor A (see Fig. 3 Page 1 Mounting/Removal of the servomotor)  
Rotate complete assembly by 180°



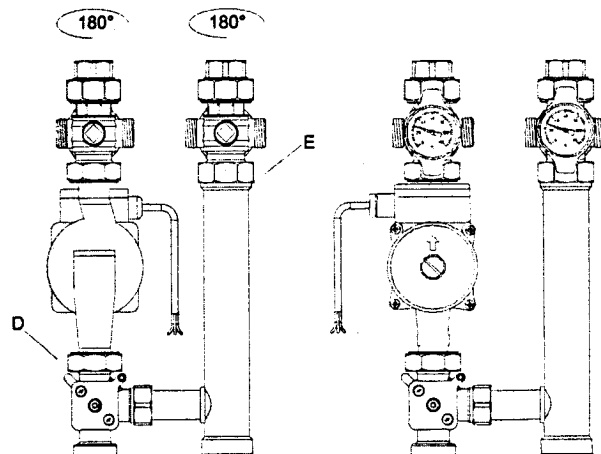
### 2nd step

Remove immersion sleeves B as well as the overflow valve (connecting pipe) C.



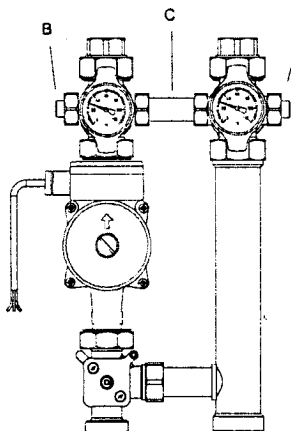
### 3rd step

Unscrew pump screw connection D as well as return ball valve screw connection E.  
Rotate pump with flow ball valve and return ball valve by 180°.  
Firmly tighten screw connections D and E again.



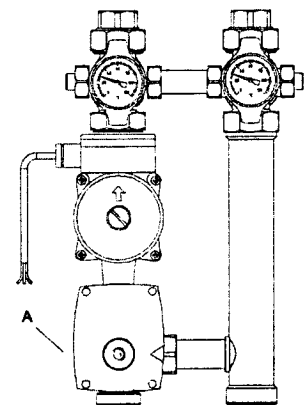
### 4th step

Re-mount immersion sleeves B as well as the overflow valve (connecting pipe) C.  
**Important:**  
Pay attention to the direction of flow specified on the overflow valve.



### 5th step

Mount servomotor A (see Fig. 3 Page 1-Mounting/Removal of the servomotor).  
Ensure correct direction of rotation (see diagram, Fig. 4).



N.B.: If changes are made to works-mounted assemblies and components, all warranty and guarantee entitlements will become null and void!