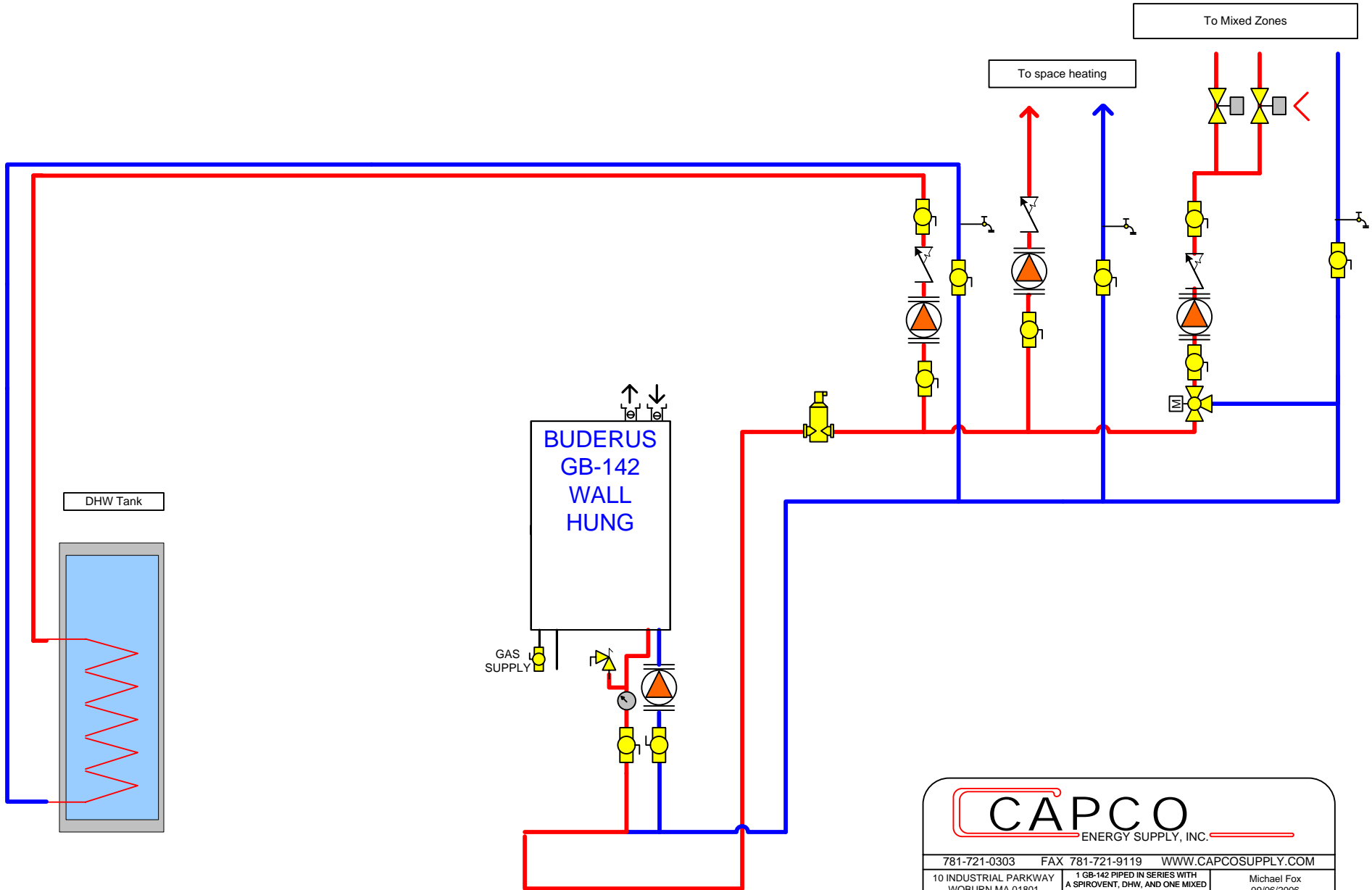


Piping Example for (1) GB-142 and DHW without using the piping manifold supplied



CAPCO
ENERGY SUPPLY, INC.

781-721-0303	FAX 781-721-9119	WWW.CAPCOSUPPLY.COM
10 INDUSTRIAL PARKWAY WOBURN MA 01801	1 GB-142 PIPED IN SERIES WITH A SPIROVENT, DHW, AND ONE MIXED AND ONE HIGH TEMP ZONE	Michael Fox 09/06/2006
THIS IS ONLY A CONCEPT DRAWING. ALL CONDITIONS AND NECESSARY COMPONENTS MUST BE FIELD VERIFIED AND ARE THE RESPONSIBILITY OF THE INSTALLING CONTRACTOR		