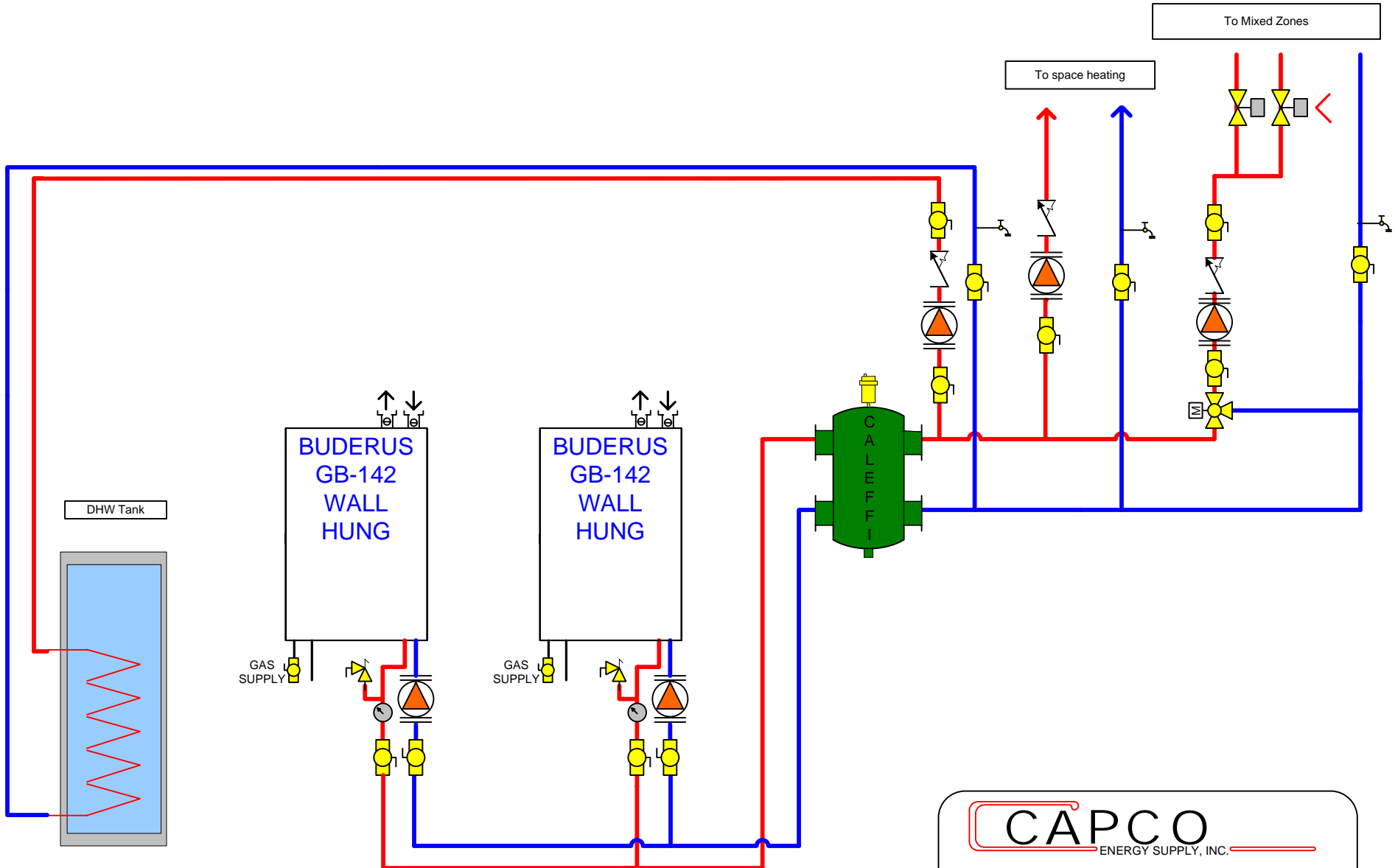


Piping Example for (2) GB-142's and DHW on system side of a Hydro Separator



CAPCO
ENERGY SUPPLY, INC.

781-721-0303	FAX 781-721-9119	WWW.CAPCOSUPPLY.COM
10 INDUSTRIAL PARKWAY WOBURN MA 01801	2 GB 142's PIPED WITH DHW ON THE SYSTEM SIDE OF A HYDRO SEPARATOR	Michael Fox 09/06/2006
THIS IS ONLY A CONCEPT DRAWING. ALL CONDITIONS AND NECESSARY COMPONENTS MUST BE FIELD VERIFIED AND ARE THE RESPONSIBILITY OF THE INSTALLING CONTRACTOR		