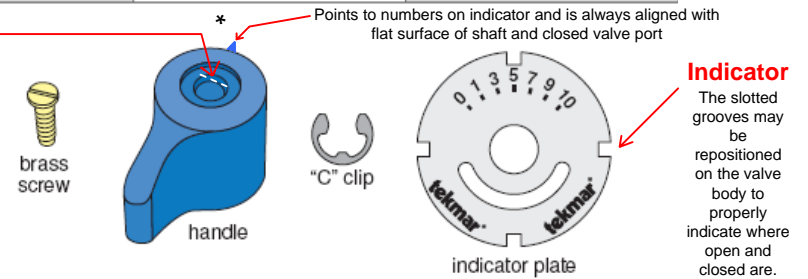
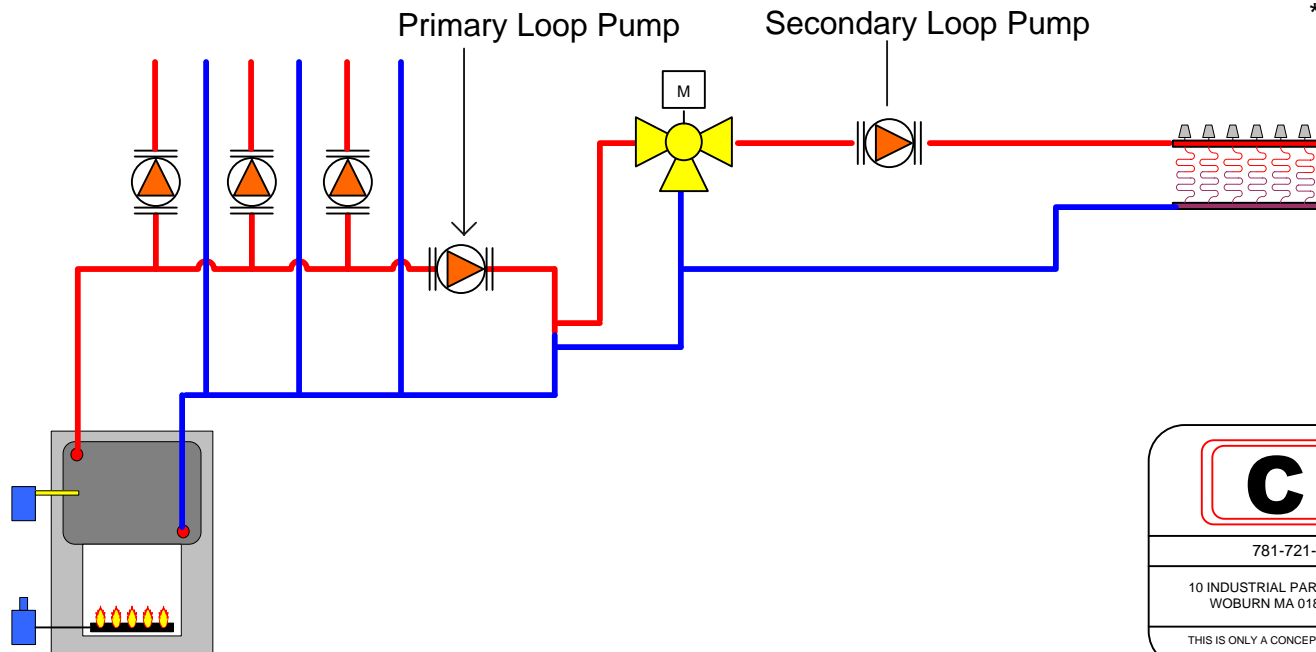


* The white dotted line in the blue handle depicts the flat surface of the valve handle and is aligned with the closed port of the valve shaft



* --- The white dotted line depicts the flat surface of the valve shaft and is aligned with the closed port of the valve



CAPCO

ENERGY SUPPLY, INC.

781-721-0303 FAX 781-721-9119 WWW.CAPCOSUPPLY.COM

10 INDUSTRIAL PARKWAY WOBURN MA 01801	Tekmar 3 Way Mixing Valve Piping Drawing	Michael Fox 11/21/2006
------------------------------------------	---------------------------------------------	---------------------------

THIS IS ONLY A CONCEPT DRAWING. ALL CONDITIONS AND NECESSARY COMPONENTS MUST BE FIELD VERIFIED AND ARE THE RESPONSIBILITY OF THE INSTALLING CONTRACTOR