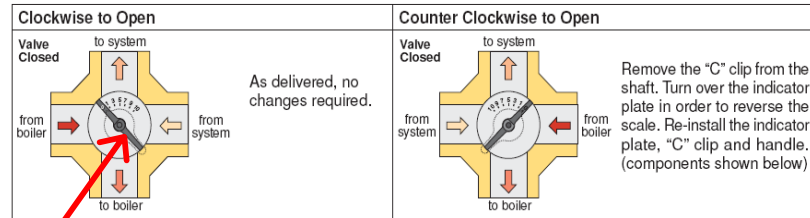
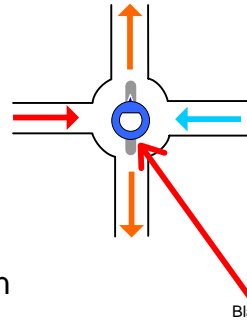
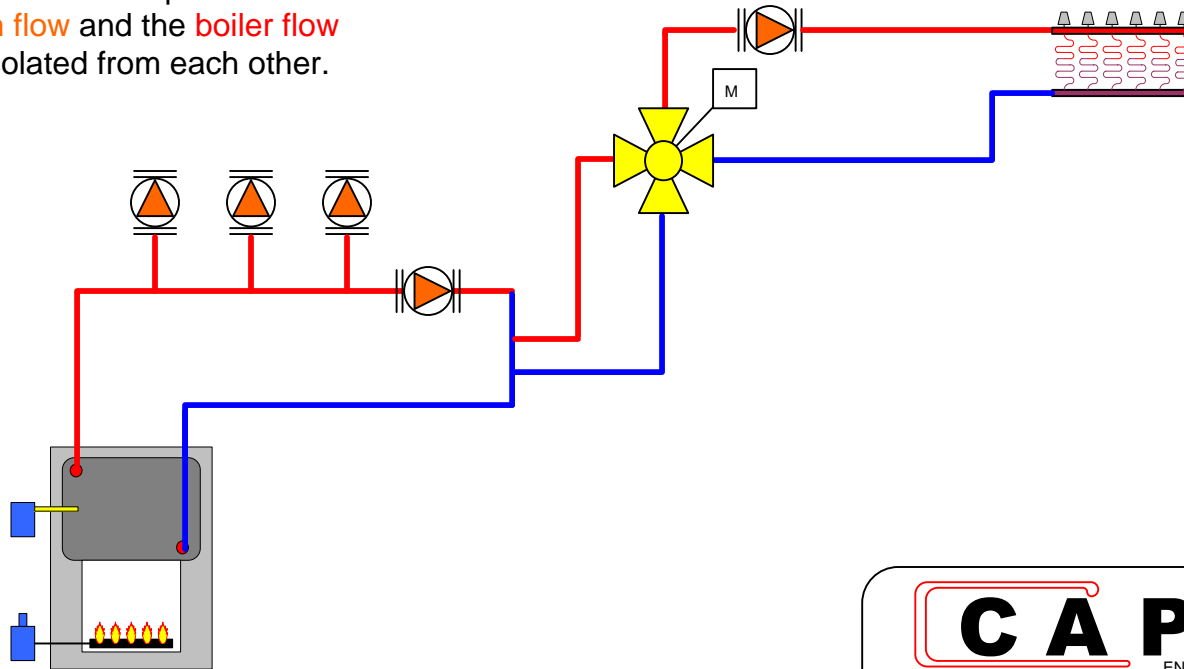


The flat portion of the shaft and the pointer of the blue handle follow the blade.



Therefore the blade is always lined up with any number on the indicator the pointer is pointing to. So, for example, in the middle picture with the pointer on ZERO the **system flow** and the **boiler flow** are completely isolated from each other.



ENERGY SUPPLY, INC.		
781-721-0303    FAX 781-721-9119    WWW.CAPCOSUPPLY.COM		
10 INDUSTRIAL PARKWAY WOBURN MA 01801	Tekmar 4 Way Mixing Valve Piping Drawing	Michael Fox 11/21/2006
<small>THIS IS ONLY A CONCEPT DRAWING. ALL CONDITIONS AND NECESSARY COMPONENTS MUST BE FIELD VERIFIED AND ARE THE RESPONSIBILITY OF THE INSTALLING CONTRACTOR</small>		