

INSTALLATION INSTRUCTIONS FOR REPLACEMENT VENTURI ASSEMBLY

FOR MODELS: NKC 110 - 199
(100275539, 100275540, 100275546, 100275548, & 100275549)

⚠ WARNING

For an appliance already installed, you must turn off gas supply, turn off power, and allow appliance to cool before proceeding. Components may be **HOT!** Failure to comply could result in severe personal injury, death, or substantial property damage.

Kit components

Kit Number	Model	Part Number	Component Description
100275539	NKC110N	100266717	Venturi Assembly, Natural
		100146547	Gasket, Venturi O-Ring
		100209445	Gasket, Venturi Adapter
		100274977	Instruction Sheet
100275540	NKC150N - NKC199N	100272637	Venturi Assembly, Natural
		100146547	Gasket, Venturi O-Ring
		100209445	Gasket, Venturi Adapter
		100274977	Instruction Sheet
100275546	NKC110L	100274816	Venturi Assembly, LP
		100146547	Gasket, Venturi O-Ring
		100209445	Gasket, Venturi Adapter
		100274977	Instruction Sheet
100275548	NKC150L	100274817	Venturi Assembly, LP
		100146547	Gasket, Venturi O-Ring
		100209445	Gasket, Venturi Adapter
		100274977	Instruction Sheet
100275549	NKC199L	100274818	Venturi Assembly, LP
		100146547	Gasket, Venturi O-Ring
		100209445	Gasket, Venturi Adapter
		100274977	Instruction Sheet

Recommended tools:

- 5/16" Nut Driver
- 3mm Allen Wrench
- Adjustable Wrench

Replacement procedure

1. Turn OFF power at the source.
2. Turn OFF gas and water to the appliance.
3. Remove the front access cover (no tools required) (FIG. 1).
4. Follow the replacement procedure on this instruction sheet to replace the venturi assembly.

Figure 1 Remove upper and lower front access panels



Replacement procedure

1. Use a 5/16" nut driver to loosen the ratchet clamp securing the air intake fitting to the venturi assembly. Remove the fitting from the venturi (FIG. 2).
2. Use an adjustable wrench to loosen the union between the gas valve adapter and the venturi assembly (FIG. 3).
3. Use a 3mm Allen wrench to loosen and remove the three (3) screws that secure the venturi to the fan assembly.
4. Remove the venturi assembly.
5. Install the new venturi assembly and reassemble the unit in reverse order of component removal. Replace any damaged or torn gaskets.
6. Turn ON power, gas, and water to the appliance. Resume operation.

⚠ CAUTION

Damaged gaskets and seals in the system can result in substantial property damage. Ensure that damaged or torn gaskets are replaced.

Figure 2 Loosen and remove ratchet clamp from venturi

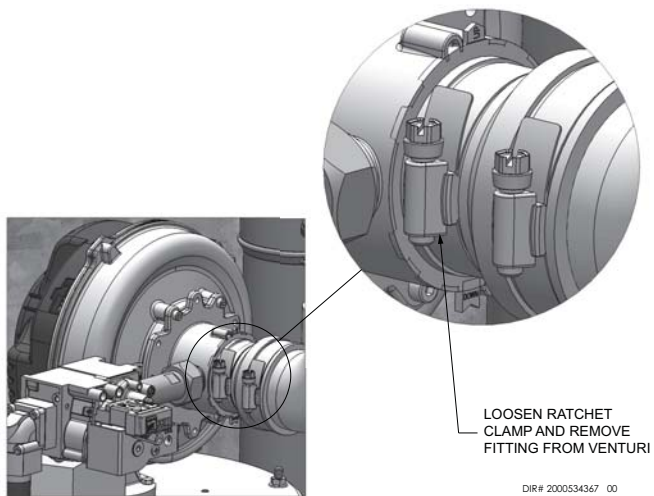
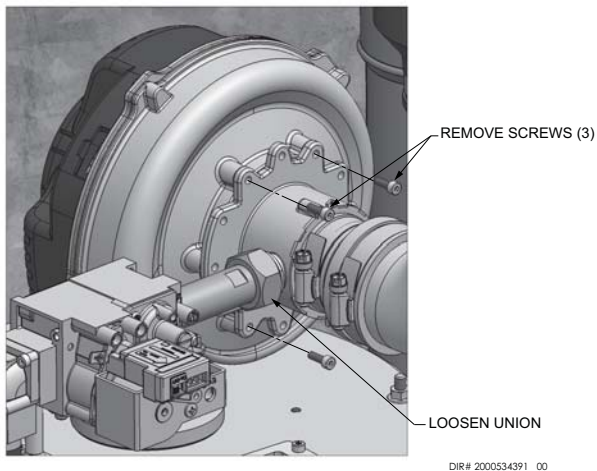


Figure 3 Loosen the union



Revision Notes: Revision A (PCP# 3000003599 / CN# 500003794) initial release.