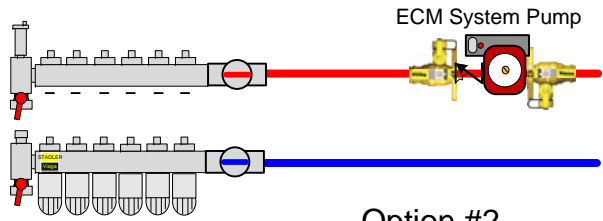
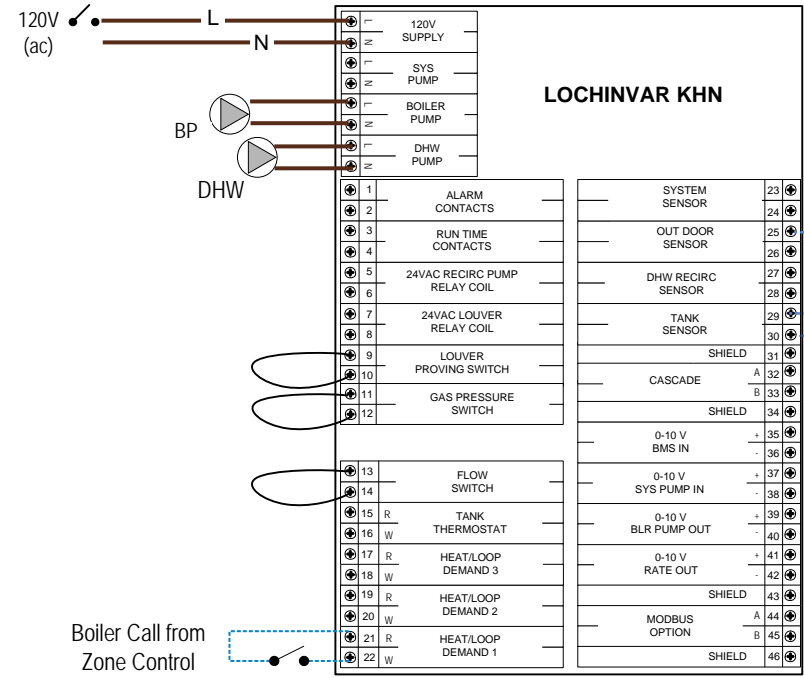
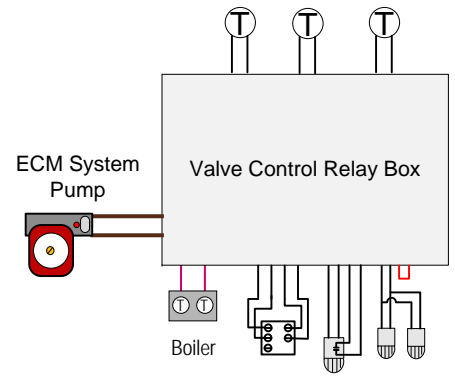


Option #1

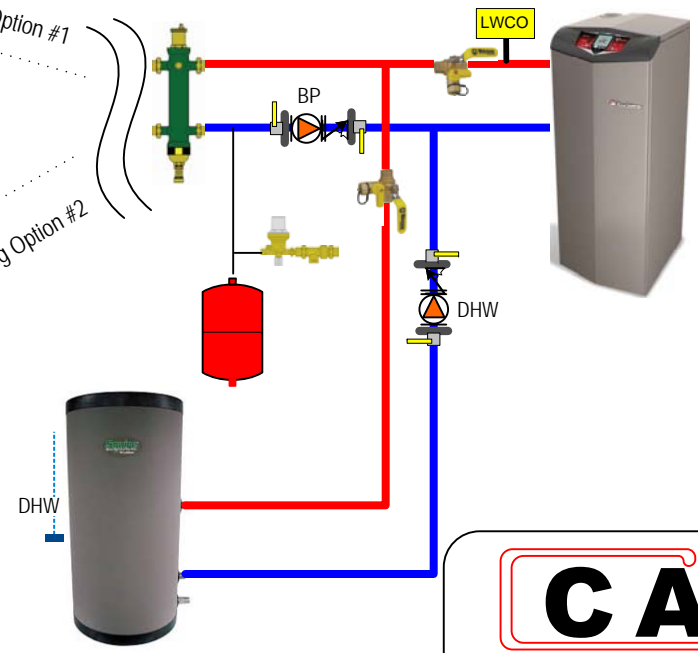


Option #2



Piping Option #1

Piping Option #2



Lochinvar KHN
Boiler
10:1 Turndown

CAPCO

ENERGY SUPPLY, INC.

781-721-0303 FAX 781-721-9119 WWW.CAPCOSUPPLY.COM

3 RATH ROAD WOBURN, MA 01801	KHN Primary Secondary Option	1.2.16 NLC
---------------------------------	---------------------------------	---------------

THIS IS ONLY A CONCEPT DRAWING. ALL CONDITIONS AND NECESSARY COMPONENTS MUST BE FIELD VERIFIED AND ARE THE RESPONSIBILITY OF THE INSTALLING CONTRACTOR