

LG Indoor Unit Condensate Pump Wiring

Condensate Pump Wiring with LG Indoor Units

With many condensate pumps in the market, and varying wiring instructions for each, this document emphasizes the recommended wiring approved by LG. Since LG does not manufacture or sell condensate pumps, nor partners with any specific vendor, the guidelines in this document are meant to address condensate pump wiring in general. If a pump with voltage matching the indoor unit is correctly installed as shown, the condensate pump should not impact the system’s operation or performance. LG makes no warranty for 3rd party pump products as they are not manufactured, distributed, or sold by LG Electronics USA, Inc. The installer should always verify pump wiring with the pump manufacturer. In situations where the installation of the condensate pump does not follow these directions or negatively impacts the performance or operation of the LG VRF system, the LG VRF limited warranty may be voided and of no effect and LG Electronics U.S.A., Inc., will have no liability to any customer, end-user or other party. Condensate Pump Wiring with LG VRF Indoor Units 3rd party condensate pumps are approved for use with LG commercial VRF indoor units when field-wired in accordance with the diagrams shown in Figure 1 through Figure 3.

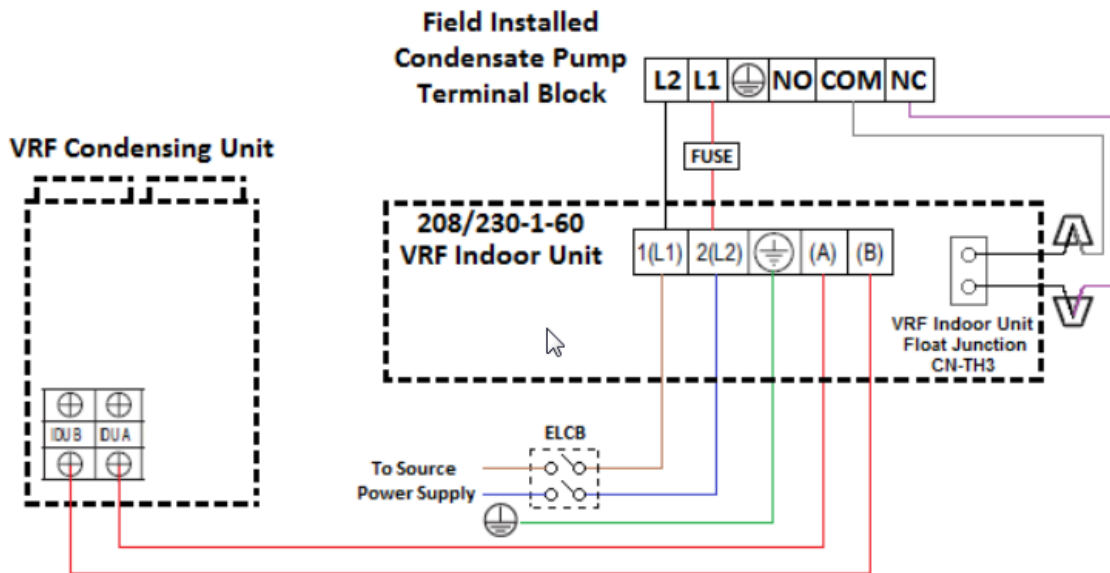


Figure 1: Condensate Pump Field-Wiring to LG VRF Wall Mount (Mirror and Standard) Indoor Units (with a Float Junction)

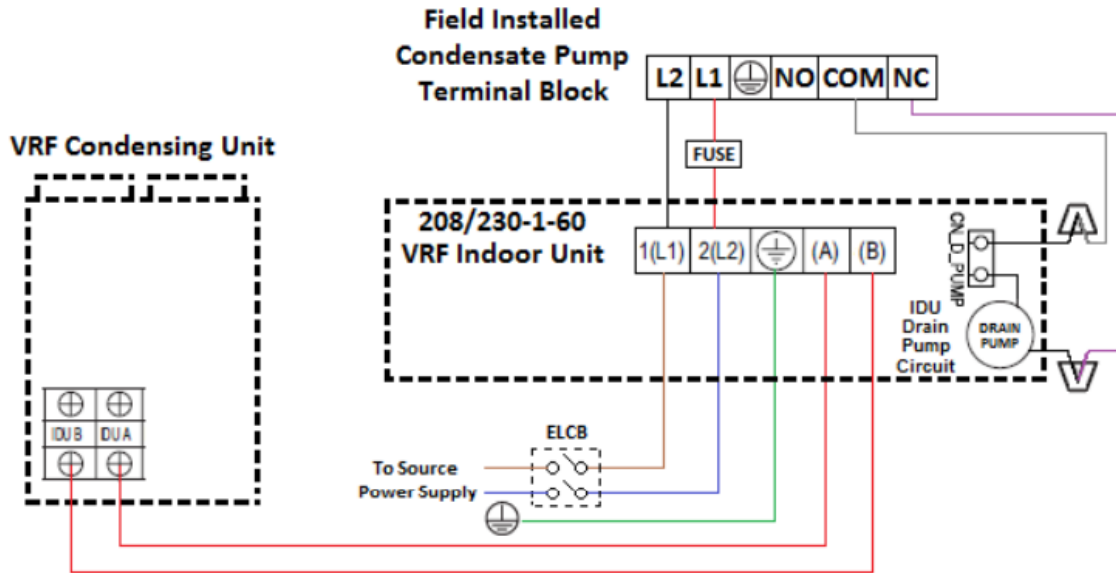


Figure 2: Condensate Pump Field-Wiring to LG VRF Cassette and Ducted Indoor Unit with Factory Standard Pump.

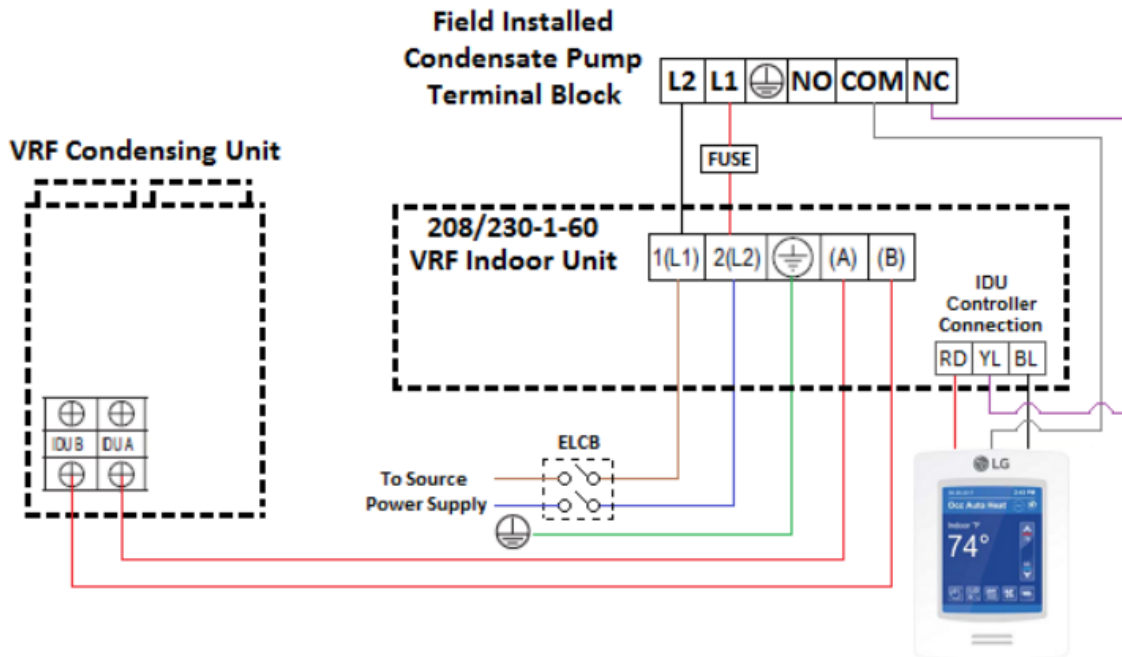


Figure 3: Condensate Pump Field-Wiring to LG VRF Indoor Units (without a Float Junction) through a Wired Controller.

Condensate Pump Wiring with LG HCS Indoor Units

3rd party condensate pumps are approved for use with LG residential/light-commercial HCS indoor units when field-wired in accordance with the diagram shown in Figure 4. (Applicable to single zone and Multi F IDUs).

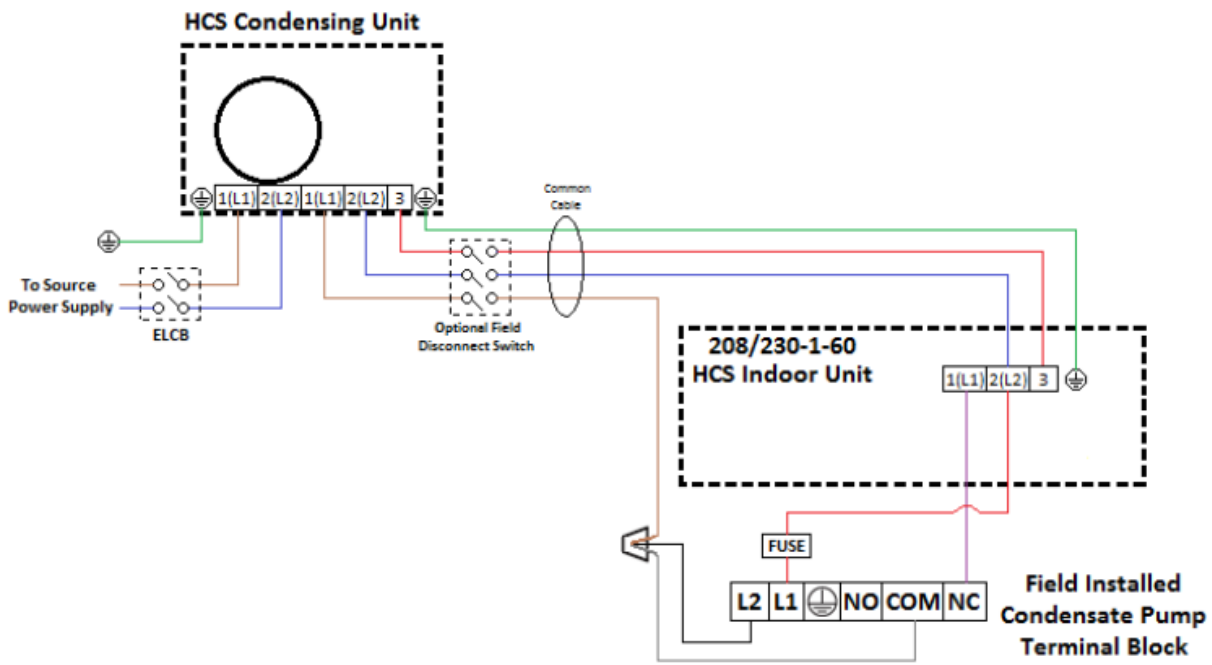


Figure 4: Condensate Pump Field-Wiring to LG HCS Indoor Units.